

FIREPRO

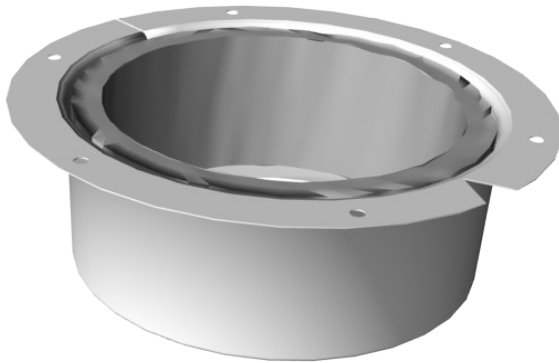
FIRE PROTECTIVE BUILDING PRODUCTS

HEAD OFFICE: AUCKLAND (09) 579 0367
 CHRISTCHURCH (03) 379 9364
www.firepro.co.nz sales@firepro.co.nz

Product specifications can change. Contact us to ensure you have our latest datasheet

FIREPRO B312 JUMBO FIRE COLLARS

Up to 315mm outside diameter pipes



DESCRIPTION

Firepro B312 Jumbo Fire Collars prevent the spread of fire where large uPVC and PE pipes penetrate fire barrier floors and walls. The collars low profile and hinged quick-clip construction allows fast, simple installation either before or after pipework is erected. Firepro B312 Jumbo Fire Collars have an outer casing of powder coated steel with a liner of intumescent material. They are simple to install as no crushing spring is required. Where a fire occurs the intumescent material expands by several hundred percent, filling the cavity in the pipe floor or wall with non-combustible material, maintaining both fire integrity and insulation. Unlike intumescent assisted mechanical damper type fire collars, Firepro B312 contain no fusible links, springs or other moving parts to require servicing.

SIZE AVAILABLE

B312-315mm for pipes up to 315mm Outside Diameter.
 B312-250mm for pipes up to 250mm Outside Diameter.
 B312-200mm for pipes up to 200mm Outside Diameter.
 For smaller pipes Firepro manufactures several styles of Pipe Collars and Pipe Wraps.

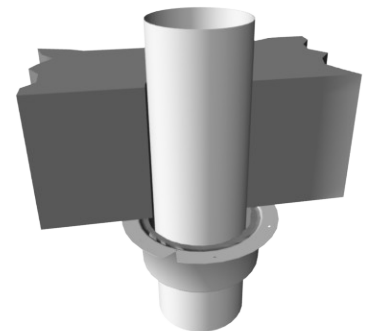
FIRE TESTING

Fire testing has been carried out to AS/NZ1530:4 (1997), AS4072:1 1992 section 3 and BS476.20:22 (1987) as follows:
 Floor B312-315mm Fire Tested FRL up to -/153/153
 Floor B312-250mm Fire Tested FRL up to -/202/202
 Floor B312-200mm Fire Tested FRL up to -/238/238
 Wall B312-315mm Fire Tested FRL up to -/123/123
 Wall B312-250mm and B312-200mm Fire engineering assessed up to -/120/120 when applied as set out in this Datasheet. The above tests have been carried out with 2 metre long pipes uncapped at end outside the furnace to maximise fire severity.
 In addition fire tests have been carried out on floors to the above standards with non-fire pipe ends capped for situations where this would be appropriate, such as pipes capped by skylights.
 B312 are compliant with AS4072.1-2005 Section 4.6.1.

Polyethylene pipes should comply with AS4130.

INSTALLATION BELOW CONCRETE FLOORS

- Close the collar over the pipe. Fasten to the fire barrier through all flange holes using 8mm thick masonry bolts. Attach below the floor, not in or above the floor.
- On top of the slab around the pipe, apply a 10 x 10mm fillet of Firepro M707 Fire & Acoustic sealant.

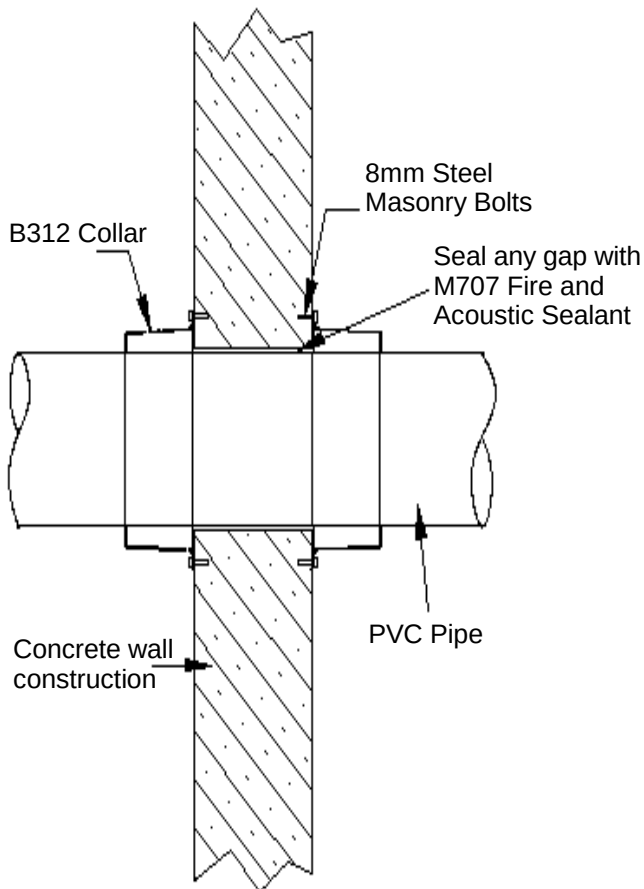


Dimensions in millimeters (nominal)			
	Overall Diameter	Pipe O.D.	Height
	A	B	C
B312-200	337	200	107
B312-250	390	250	130
B312-315	476	315	145

NOTE: The technical information and suggestions for use and application presented herein represent the best information available to us and are believed to be reliable. If used beyond the situations detailed on this datasheet we advise confirming their suitability before installation. All dimensions are nominal. We reserve the right to make changes or to withdraw designs and products without notice.

FIREPRO B312 JUMBO FIRE COLLARS (continued)

Concrete Wall Details:



INSTALLATION ON WALLS

- Two collars are required, one for each side of the wall.
- Minimum wall thickness for One Hour Fire Resistance Rating using B312 collars is 87.5mm for concrete and plaster board walls. Minimum for 2 hour Fire Resistance Rating is 120mm for use on concrete walls and 96mm on plaster board walls.
- The wall must have a fire rating equal or above the fire rating required of the Fire Collar.
- Close the collar over the pipe. For **concrete walls**, fasten the collars to the wall using 8mm thick steel masonry bolts through all flange holes. For **gypsum plaster walls** make a 600 x 600mm block of the fire wall material to the thickness of the wall framing. Install the block in the wall frame using nogs to suit. Line the wall over the block with the fire wall material. Mark and cut the hole for the pipe through the entire wall and solid block. Install the pipe. Using 8mm thick steel bolts which extend through the thickness of the wall, bolt the flanges of the two collars together. Bolt through all holes on the collar flanges.

Plaster Board Wall Details:

